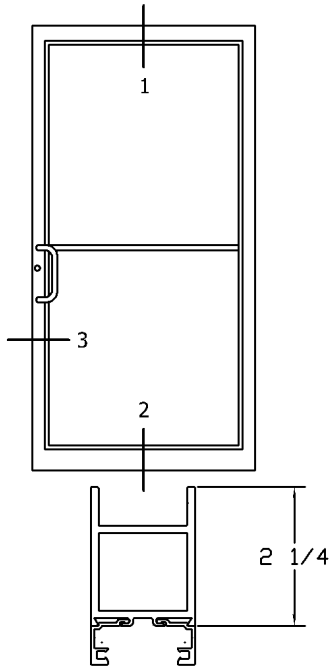


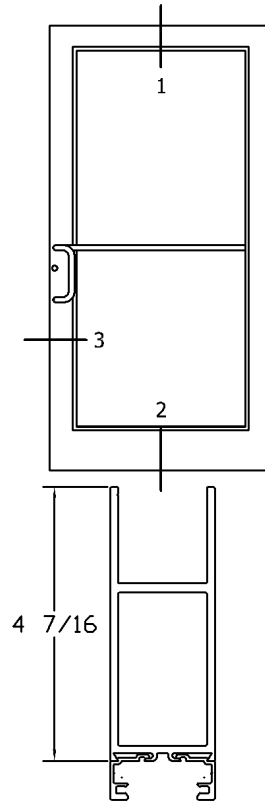
### 3300 SERIES ENTRANCE DOOR TYPES/SECTION DIMENSIONS



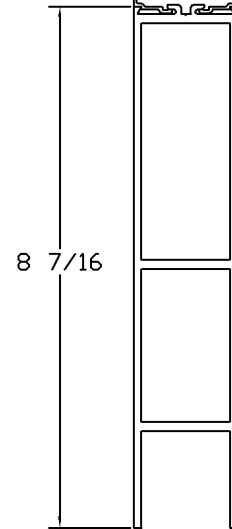
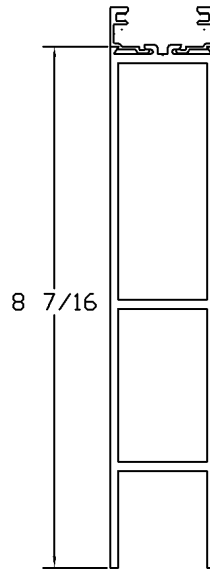
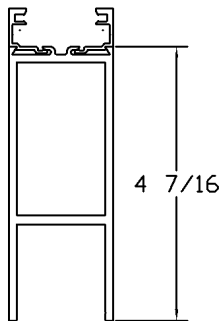
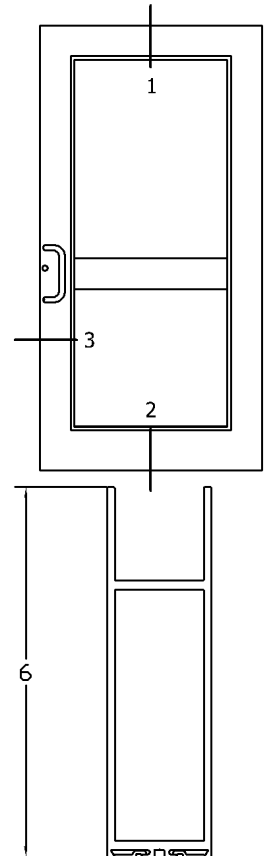
NARROW STYLE



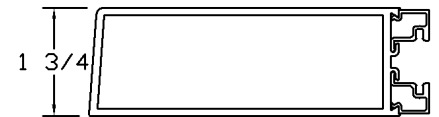
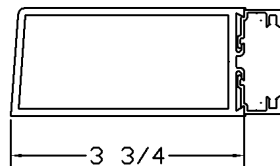
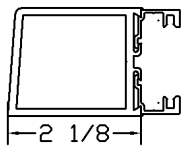
MEDIUM STYLE



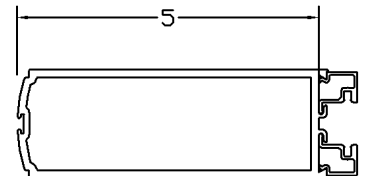
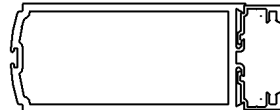
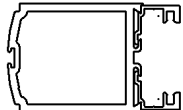
WIDE STYLE



SINGLE ACTING



DOUBLE ACTING



3300 SERIES ENTRANCE  
DOOR



2 of 7

PART NUMBER	DIE DRAWING	WT/FT	PERMIETER	X-X	Y-Y
BCE-3300		1.129	15.757	0.403 I 0.440 0.447 S 0.354	
BCE-3304		1.819	24.459	0.742 I 2.667 0.879 S 1.108	
BCE-3305		1.076	15.508	0.401 I 0.534 0.451 S 0.478	
BCE-3306		1.103	15.789	0.406 I 0.534 0.464 S 0.476	
BCE-3307		1.097	15.192	0.406 I 0.533 0.464 S 0.473	
BCE-3308		1.187	16.586	0.413 I 0.544 0.472 S 0.498	
BCE-3315		1.513	22.039	0.650 I 2.181 0.734 S 1.110	
BCE-3316		1.588	22.253	0.673 I 2.255 0.769 S 1.158	
BCE-3317		1.596	21.346	0.676 I 2.209 0.773 S 1.174	
BCE-3318		1.709	23.043	0.695 I 2.441 0.794 S 1.253	
BCE-3323		3.326	43.129	1.396 I 17.851 1.654 S 4.070	
BCE-3324		2.345	30.766	0.987 I 6.796 1.169 S 2.120	
BCE-3325		1.878	26.874	0.846 I 4.621 0.958 S 1.798	
BCE-3326		1.955	27.033	0.876 I 4.684 1.001 S 1.823	

3300 SERIES ENTRANCE  
DOOR



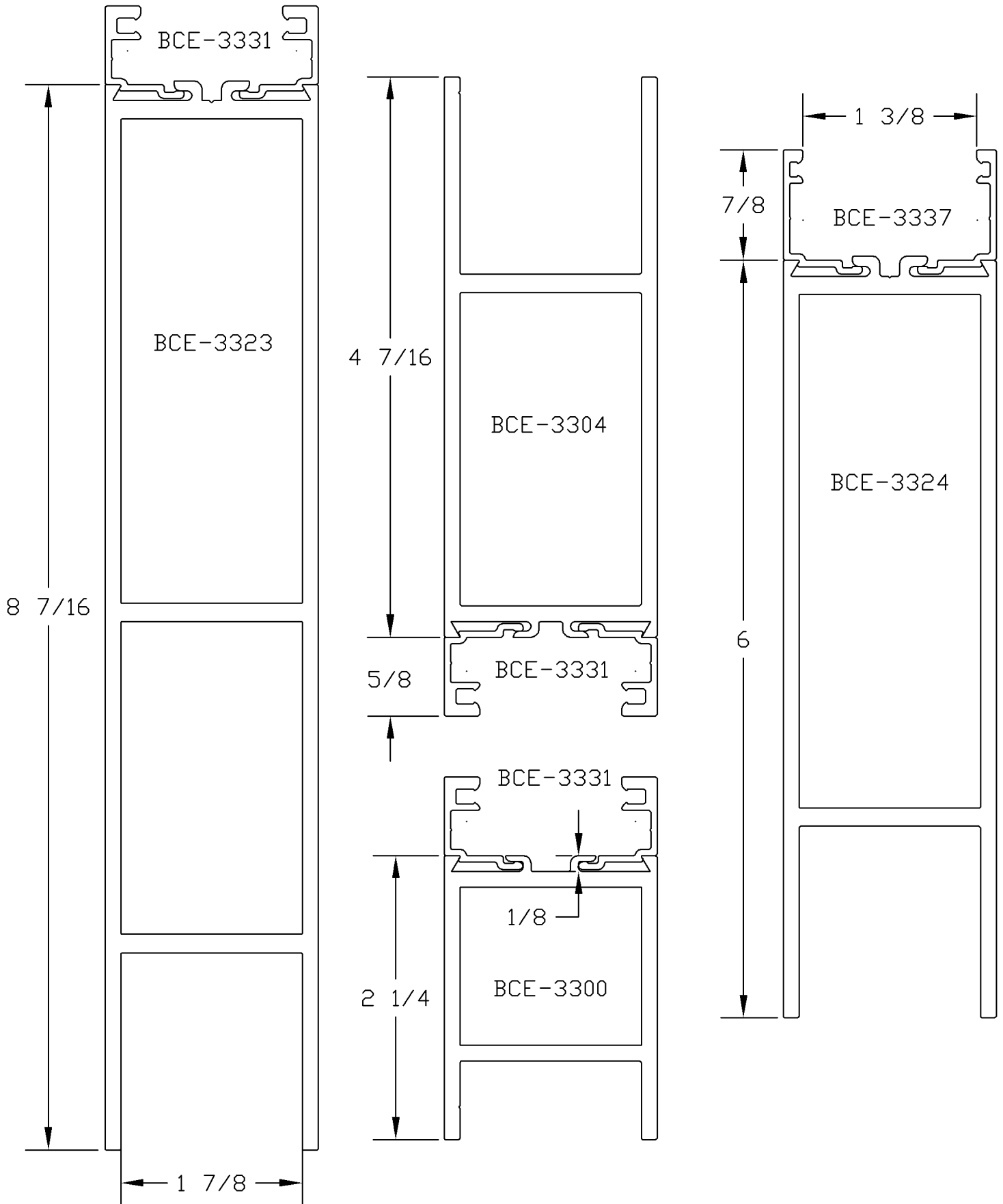
3 of 7

PART NUMBER	DIE DRAWING	WT/FT	PERMIETER	X-X	Y-Y
BCE-3327		1.984	26.641	0.890 I 4.807 1.017 S 1.893	
BCE-3328		2.039	27.973	0.883 I 4.938 1.009 S 1.949	
BCE-3330		0.138	4.248	0.005 I 0.004 0.014 S 0.010	
BCE-3331		0.125	3.436	0.007 I 0.003 0.018 S 0.007	
BCE-3332		0.154	4.753	0.008 I 0.005 0.019 S 0.013	
BCE-3333		0.067	2.064	0.001 I 0.000 0.005 S 0.000	
BCE-3337		0.113	3.522	0.011 I 0.003 0.020 S 0.006	
BCE-3338		1.196	9.405	0.269 I 0.191 0.382 S 0.217	
BCE-3340		0.593	9.273	0.009 I 0.699 0.027 S 0.349	

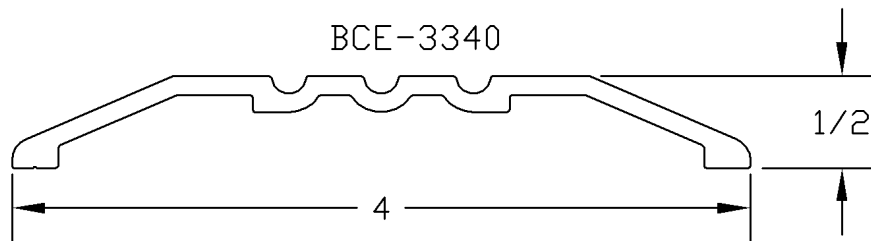
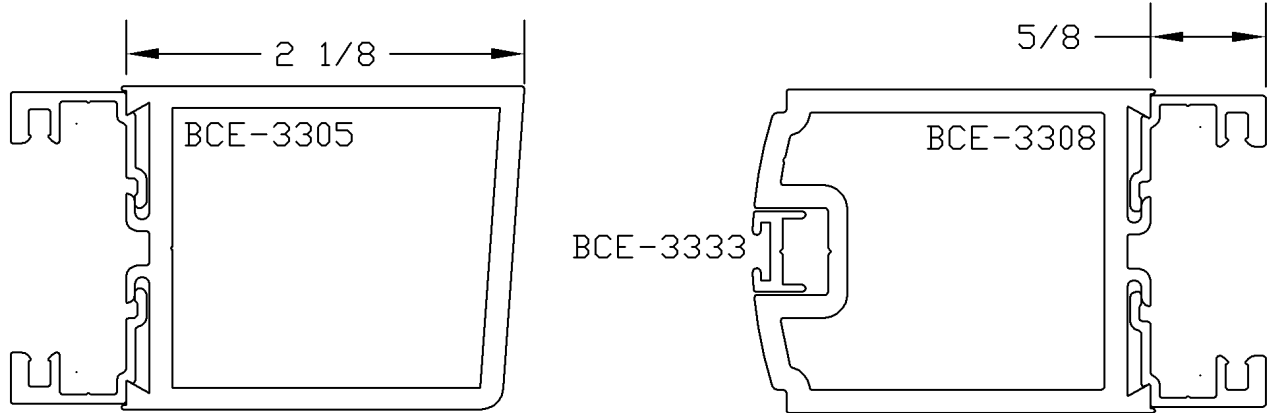
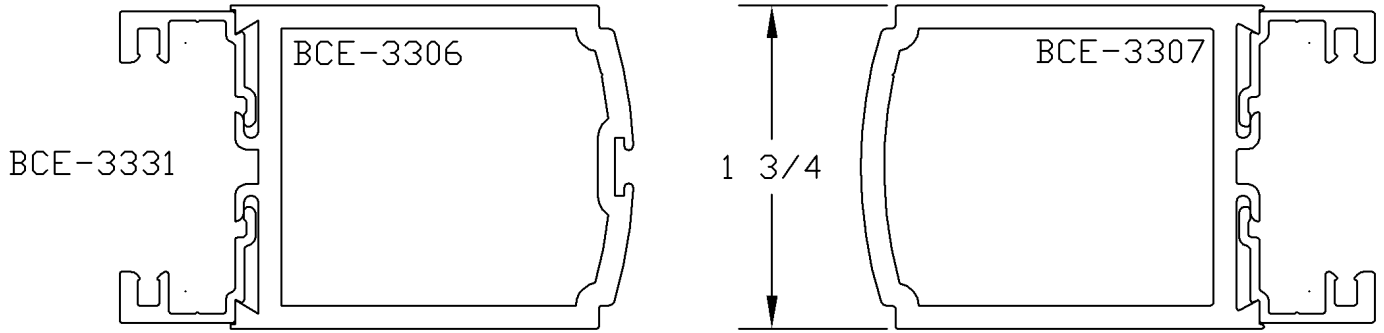
3300 SERIES ENTRANCE  
DOOR ACCESSORIES



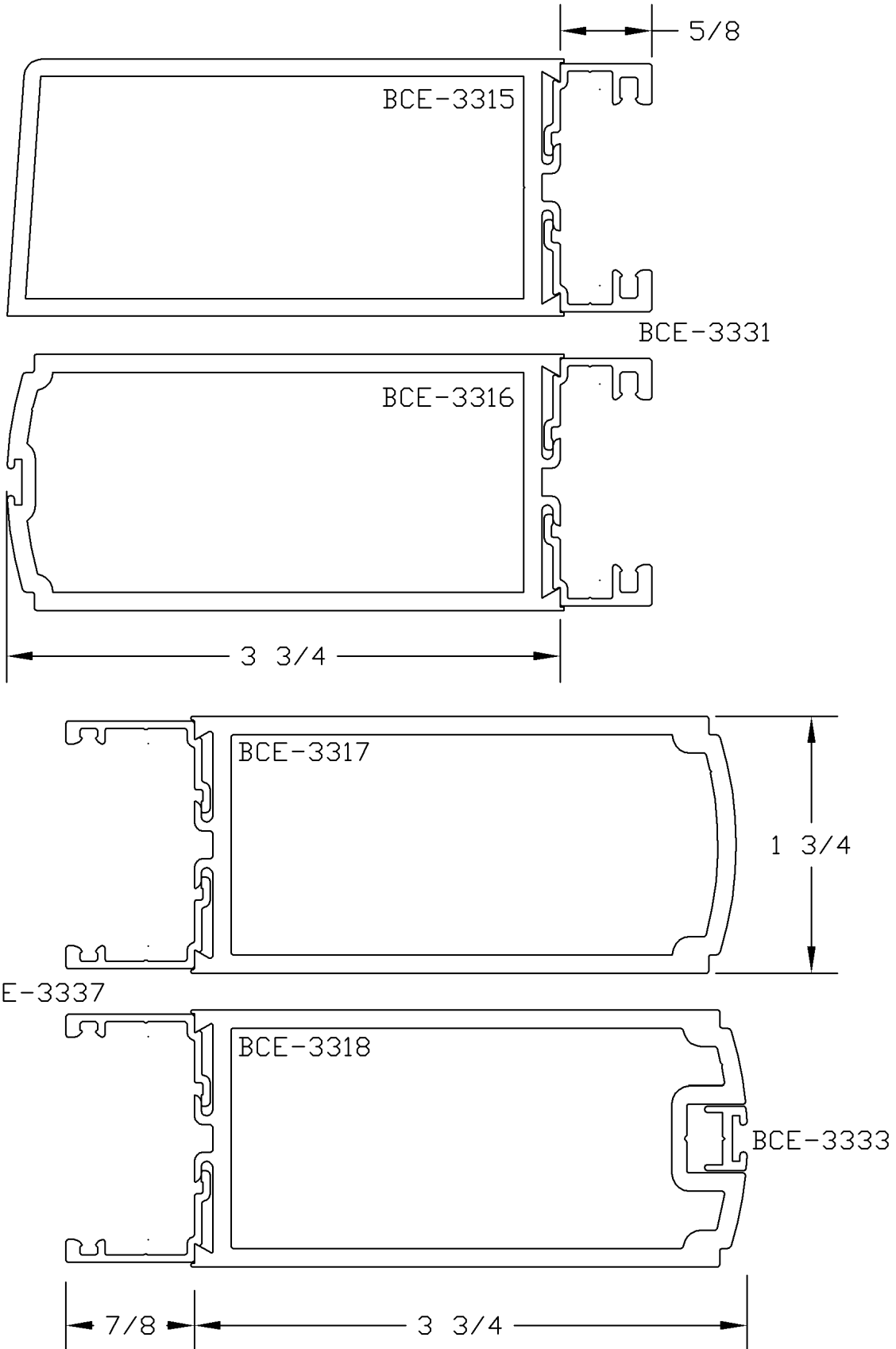
4 of 7



3300 SERIES ENTRANCE  
DOOR ACCESSORIES



3300 SERIES ENTRANCE  
DOOR ACCESSORIES



3300 SERIES ENTRANCE  
DOOR ACCESSORIES



7 of 7

